



KL 200 LED

- LED light engine.
- Wide range power supply (100–240 V, 50–60 Hz) with international clip plug system.
- Convection cooling (no fan).
- Continuous dimming from 0 to 100%.
- Mountable direct to microscope stands via respective adaptors or usable as standallone.
- Wide range of accessories available (KL 200 series).
- **Approvals:**  
The KL 200 LED is in compliance with the CE regulations.
- Manufactured in the EU.

## KL 200 LED

*compact and bright*

The KL 200 LED is a fiberoptical routine lightsource with a LED light engine, developed and designed for industrial and life science applications in Stereo Microscopy and Macroscopy.

The brightness is equivalent to a 20-watt halogene cold light source.

All advantages of LED light sources,

- *no bulb changing*
- *low energy consumption*
- *ripple free DC illumination*
- *white light (daylight)*

are combined with the main advantages of fiber optics,

- *significantly higher light intensity focused to a small field of view*
- *high flexibility of light and illumination techniques*

for an outstanding price performance ratio.

### KL 200 LED

#### General data

Part-No.		<b>120 200</b>
Dimensions (W x D x H)	(mm)/(inch)	106 x 114 x 59/4.2" x 4.5" x 2.3"
Weight	(kg)	approx. 0.35
Cooling		convection

#### Electrical data

Operating voltage, frequency		100–240 V ~, 50–60 Hz
Power consumption	(VA)	max. 5
Protection class		II
Overvoltage category		II
Diode		LED, Luxeon Rebel
LED power rating	(W)	3
Average LED life time	(h)	30,000

#### Illumination data

Light flux	(lm)	50
Color temperature	(K)	approx. 5,600
Light control		Electrical
Active light guide diameter	(mm)/(inch)	max. 6/max. 0.23"

#### Certification marks

Approvals	CE
EMV-class	B

#### Mounting adaptors

##### for microscope and swinging arm stands\*

bracket for column Ø 30–35 mm (1.18"–1.38")	<b>120 210</b>
---	----------------

##### for standalone application

Base stand	<b>158 340</b>
Mounting bracket	<b>120 250</b>

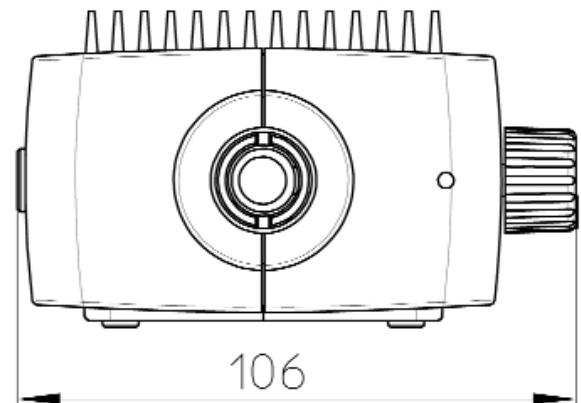
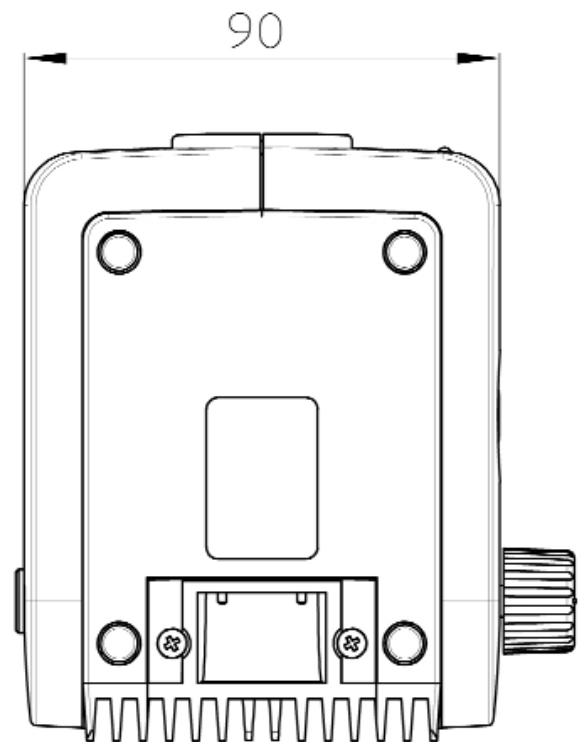
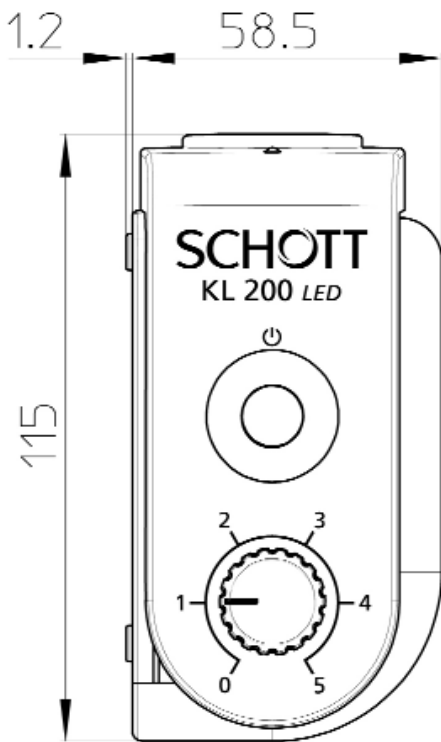
\* further customized adaptors available on demand

**Note: Mounting adaptors  
must be ordered separately!**

**SCHOTT**  
glass made of ideas

Product improvements may result in specification or feature changes without notice.

## KL 200 LED



Fiber Optics  
**SCHOTT AG**  
Otto-Schott-Strasse 2  
55127 Mainz  
Germany

Phone: +49 (0)6131/66-7796  
Fax: +49 (0)6131/66-7850  
fiberoptics.info@schott.com  
www.schott.com/fiberoptics

For your local sales contact please visit  
[www.schott.com/fiberoptics/english/contact](http://www.schott.com/fiberoptics/english/contact)

**SCHOTT**  
glass made of ideas